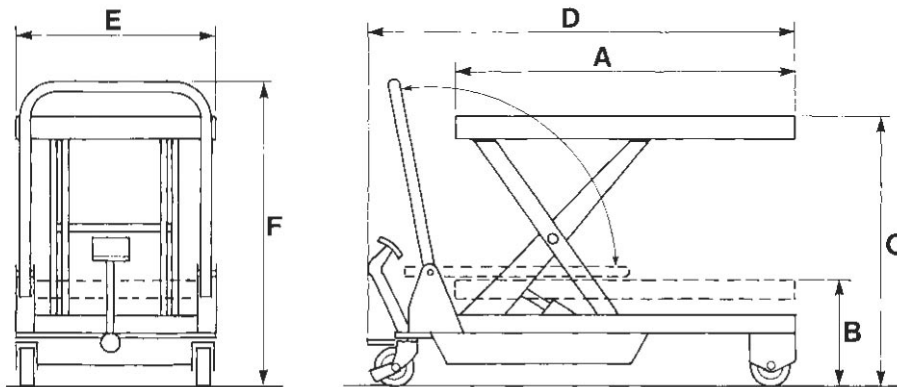


Model	C Raised Height	B Closed Height	E x A Platform W x L	E x D O/A W x L	F Handle Height	Wheel Dia	Approx Weight (kg)	Reference
STEEL	780	255	450 x 760	450 x 990	940	125mm	41	SC-150-S-M
ALUMINIUM	780	255	450 x 760	450 x 990	940	125mm	24	SC-150-S-M-ALU-PC

**Options**

- Second Braked wheel
- Stainless Steel top cover
- Plastic roller conveyor top (Increases closed/raised height by 60mm)
- Ball top
- Bellows safety skirt
- Rubber Mat



All dimensions are in mm unless otherwise shown