

**SINGLE SCISSOR TABLES**

Capacity	C Raised Height	B Closed Height	Operation	E x A Platform W x L	E x D O/A W x L	F Handle Height	Wheel Dia	Approx Weight	Reference
800KG	1050mm	360mm	Manual Hyd	840 X 1350	860 X 1650	1010	150/200mm	222	SC-800-S-M
800KG	1050mm	360mm	Battery Electric	840 X 1350	860 X 1650	1010	150/200mm	270	SC-800-S-E
1250KG	1050mm	360mm	Manual Hyd	840 X 1350	860 X 1650	1010	150/200mm	230	SC-1250-S-M
1250KG	1050mm	360mm	Battery Electric	840 X 1350	860 X 1650	1010	150/200mm	278	SC1250-S-E
1000KG	1050mm	360mm	Manual Hyd	1000 X 2000	1000X 2350	1010	150/200mm	350	SC-1000-S-M
1000KG	1050mm	360mm	Battery Electric	1000 X 2000	1000X 2350	1010	150/200mm	397	SC-1000-S-E

**DOUBLE SCISSOR TABLES**

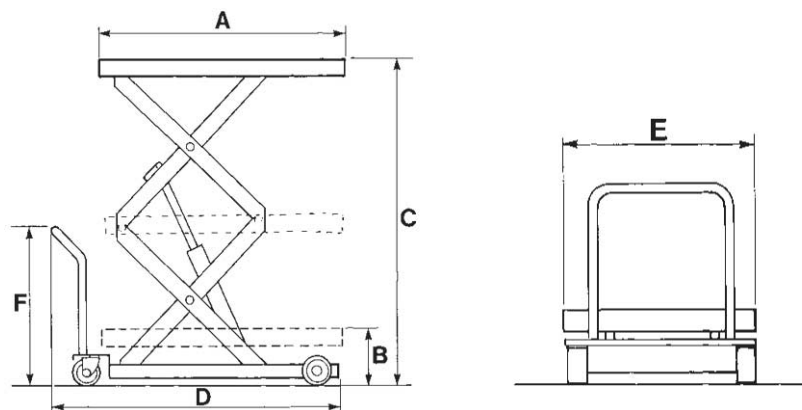
Capacity	C Raised Height	B Closed Height	Operation	E x A Platform W x L	E x D O/A W x L	F Handle Height	Wheel Dia	Approx Weight	Reference
500KG	1900mm	490mm	Manual Hyd	840 X 1350	860 X 1650	1010	150/200mm	306	SC-500-D-M
500KG	1900mm	490mm	Battery Electric	840 X 1350	860 X 1660	1010	150/200mm	352	SC-500-D-E
800KG	1900mm	490mm	Manual Hyd	840 X 1350	860 X 1650	1010	150/200mm	315	SC-800-D-M
800KG	1900mm	490mm	Battery Electric	840 X 1350	860 X 1650	1010	150/200mm	363	SC-800-D-E

**TRIPLE SCISSOR TABLES**

Capacity	C Raised Height	B Closed Height	Operation	E x A Platform W x L	E x D O/A W x L	F Handle Height	Wheel Dia	Approx Weight	Reference
500KG	2900mm	650mm	Manual Hyd	840 X 1350	860 X 1690	1010	150/200mm	375	SC-500-T-M
500KG	2900mm	650mm	Battery Electric	840 X 1350	860 X 1690	1010	150/200mm	420	SC-500-T-E

**Options**

- Second brake wheel
- Stainless steel top cover
- Plastic roller conveyor top, Increases closed / raised height by 60mm
- Ball Top
- Bellows safety skirt



**All dimensions are in mm unless otherwise shown**